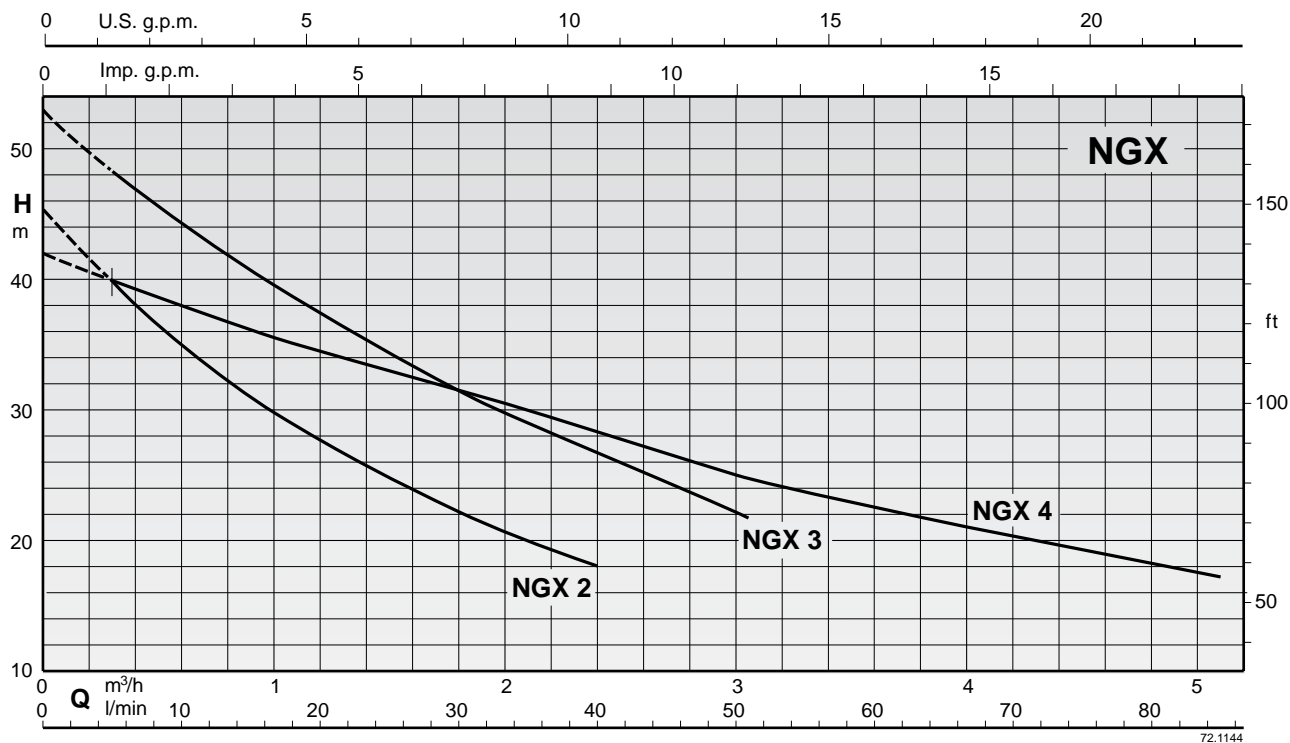
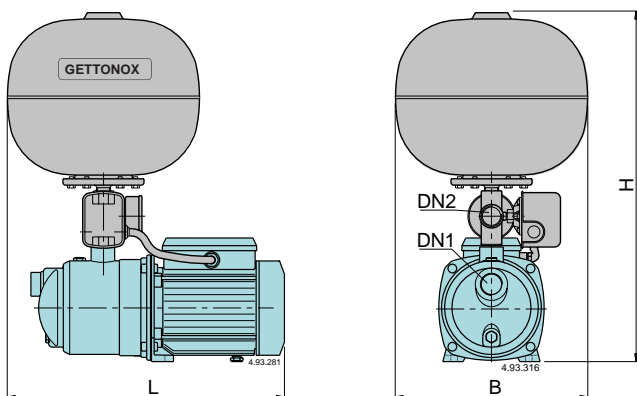


Coverage chart

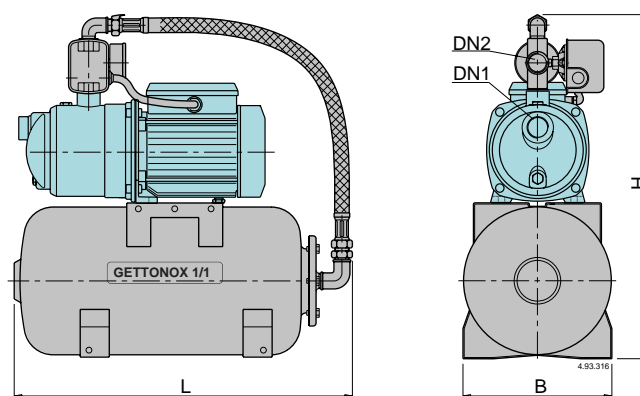


Characteristic, dimensions and weights

GETTONOX



GETTONOX 1/1



GETTONOX

3~ 230/400V	1~ 230V	kW	HP	Q max* l/min	Pressostato Pres. switch bar	DN1	DN2	mm			kg
								B	L	H	
NGX 2/24	NGXM 2/24	0,45	0,6	35	2,0÷3,5	G 1 1/4	G1	360	427	583	14,5
NGX 3/24	NGXM 3/24	0,55	0,75	45	2,5÷4,0	G 1 1/4	G1	360	456	583	16,5
NGX 4/24	NGXM 4/24	0,75	1	72	2,0÷3,5	G 1 1/4	G1	360	456	583	17,5

GETTONOX 1/1

3~ 230/400V	1~ 230V	kW	HP	Q max* l/min	Pressostato Pres. switch bar	DN1	DN2	mm			kg
								B	L	H	
NGX 2/20	NGXM 2/20	0,45	0,6	35	2,0÷3,5	G 1 1/4	G1	255	540	593	15,5
NGX 3/20	NGXM 3/20	0,55	0,75	45	2,5÷4,0	G 1 1/4	G1	255	540	593	17,5
NGX 4/20	NGXM 4/20	0,75	1	72	2,0÷3,5	G 1 1/4	G1	255	540	593	18,5

* Maximum pump flow at minimum set pressure of pressure switch.