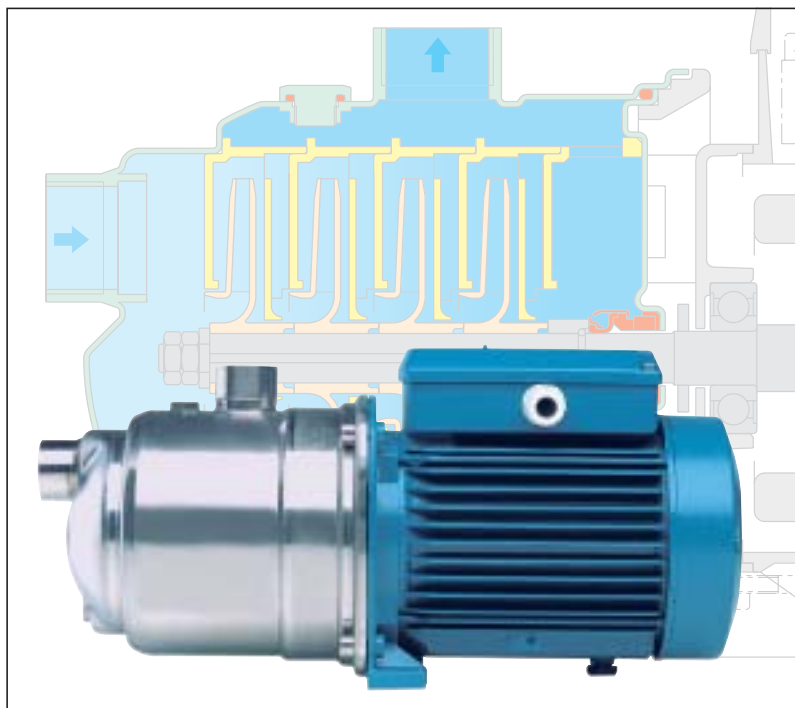


# MXP 60 Hz Horizontal Multi-Stage Close Coupled Pumps



## Construction

Horizontal multi-stage close coupled pump. Single-piece barrel casing in chrome-nickel stainless steel, with front suction port above pumps axis and radial delivery at top. Stages in Noryl.

## Applications

For water supply. For domestic use, for garden use and irrigation.

## Operating conditions

Liquid temperature: 0 °C to +35 °C.  
Ambient temperature up to +40 °C.  
Maximum permissible pressure in the pump casing: 8 bar.  
Continuous duty.

## Materials

Component	Material
Pump casing	Cr-Ni steel 1.4301 EN 10088 (AISI 304)
Casing cover	Cr-Ni steel 1.4301 EN 10088 (AISI 304)
Pump Shaft	Chrome steel 1.4104 EN 10088 (AISI 430)
Plug	Cr-Ni steel 1.4305 EN 10088 (AISI 303)
Stage casing	PPO-GF20 (Noryl)
Impeller	PPO-GF20 (Noryl)
Mechanical seal	Carbon - Ceramic - NBR

## Motor

2-pole induction motor, 60 Hz (n = 3450 rpm).

**MXP:** three-phase 220/380 V.

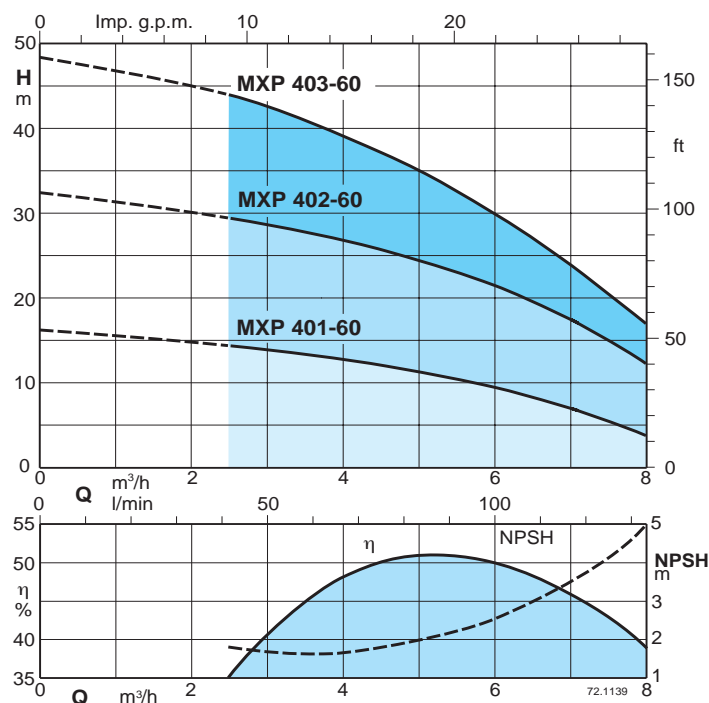
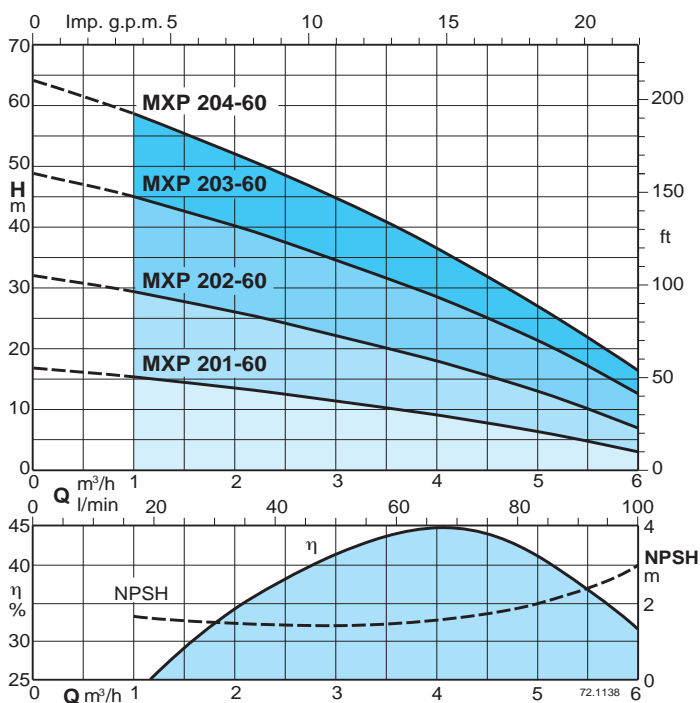
**MXPM:** single-phase 220 V, with thermal protector. Capacitor inside the terminal box.

Insulation class F.

Protection IP 54.

Constructed in accordance with: EN 60335-2-41.

## Characteristic curves n = 3450 rpm



## Performance $n \approx 3450$ rpm

3 ~	220 V 380 V			1 ~	220 V		P <sub>2</sub>		Q	m <sup>3</sup> /h							
	A	A	IA/IN		A	IA/IN	kW	HP		l/min	0	1	2	3	4	5	6
<b>MXP 201-60</b>	1,7	1	4,7	<b>MXPM 201-60</b>	2,3	1,8	0,25	0,34	H	m	16,5	15,2	13,5	11,5	9	6,2	3
<b>MXP 202-60</b>	3,5	2	4,8	<b>MXPM 202-60</b>	4,1	3	0,45	0,6		32	29,5	26,5	22,5	18	13	7	
<b>MXP 203-60</b>	4,2	2,4	4,3	<b>MXPM 203-60</b>	6,5	3,3	0,75	1		48,5	45	40,5	34,5	28,5	21,5	12,5	
<b>MXP 204-60</b>	4,2	2,4	4,3	<b>MXPM 204-60</b>	6,5	3,3	0,75	1		64	58,5	52	45	36,5	27	16,5	

3 ~	220 V 380 V			1 ~	220 V		P <sub>2</sub>		Q	m <sup>3</sup> /h							
	A	A	IA/IN		A	IA/IN	kW	HP		l/min	0	2,5	4	5	6	7	8
<b>MXP 401-60</b>	2	1,2	4	<b>MXPM 401-60</b>	2,8	2,7	0,33	0,45	H	m	16,3	14,5	13	11	9,2	7	4
<b>MXP 402-60</b>	4,2	2,4	4,3	<b>MXPM 402-60</b>	6,5	3,3	0,75	1		32,5	29,5	27	24,5	21,5	17,5	12,5	
<b>MXP 403-60</b>	5,6	3,2	4,7				1,1	1,5		48,5	44	39	35	30	24	17	

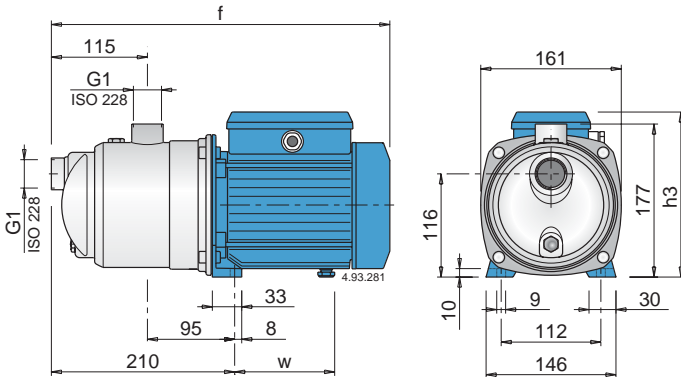
P1 Max. power input.

P2 Rated motor power output.

Test results with clean cold water, without gas content.  
+ 0,5 m security margin on NPSH-value is necessary.

Tolerances according to ISO 9906, annex A.

## Dimensions and weights



TYPE	mm			kg	
	f	h3	w	MXP	MXPM
<b>MXP 201-60 - MXPM 201-60</b>	362	176	102	5,9	5,9
<b>MXP 202-60 - MXPM 202-60</b>	362	176	102	7,2	7,2
<b>MXP 203-60 - MXPM 203-60</b>	391	188	112	9,5	10,5
<b>MXP 204-60 - MXPM 204-60</b>	391	188	112	9,6	10,6
<b>MXP 401-60 - MXPM 401-60</b>	362	176	102	5,9	5,9
<b>MXP 402-60 - MXPM 402-60</b>	391	188	112	9,4	10,4
<b>MXP 403-60</b>	391	188	112	11	

### Extra safety

against running dry, with the suction port above pump axis.

### Robust

Single-piece barrel casing.

### Compact

Single-piece lantern bracket and base.

### Low noise

with the water-filled shroud around the stages.

